

Vacuum Systems for the Distillation



Chemically-resistant LABOXACT® Vacuum Systems for controlled and gentle Distillation

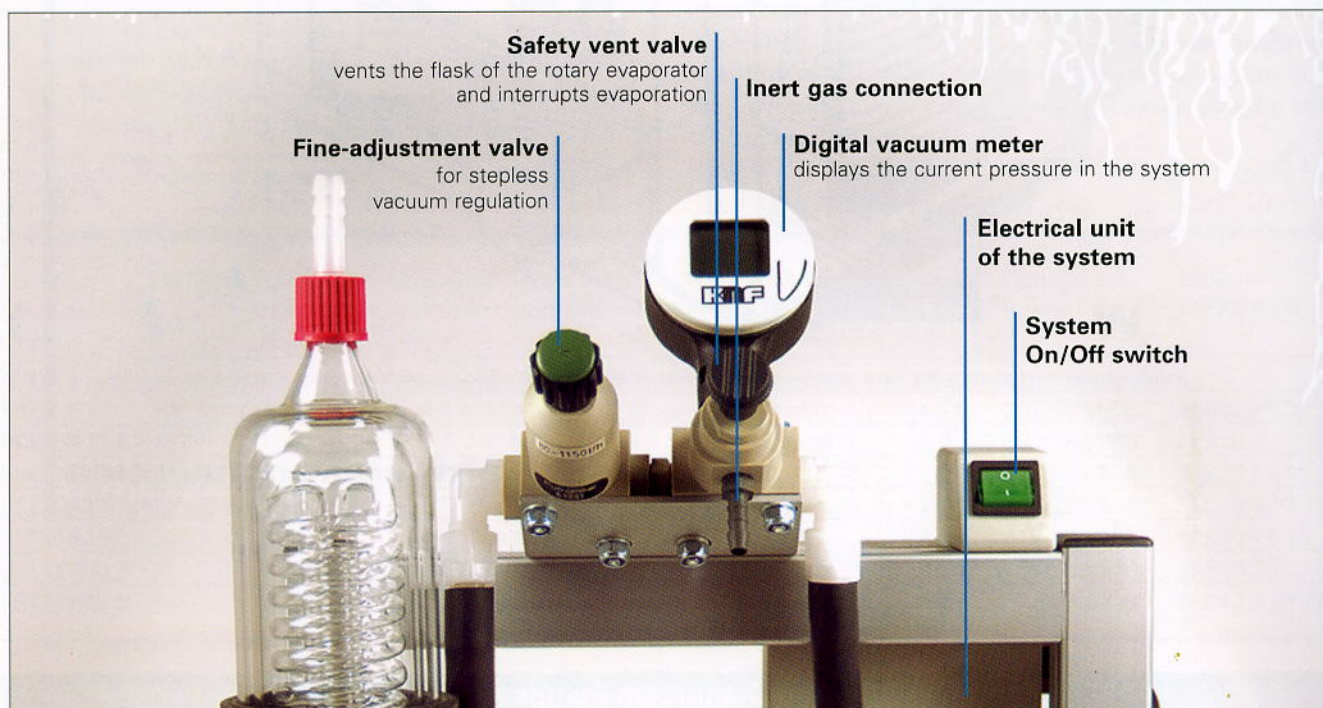
Technical features:

- Maintenance-free
- Gentle distillation, due to closed system
- Careful control of evaporation
- High degree of solvent recovery
- Silent
- Simple connection to the line power (power plug) and to the pneumatic system
- Environmentally friendly

System	Flow rate (l/min) ¹⁾	Ultimate vacuum (mbar abs)	Pneumatic connections for tube ID	Weight (kg)	Included in the system:	Components (same for all systems)
SEM 810	10	8	10 mm	12.1	N 810.3 FT.18	base plate, separator, condenser, fine-adjustment valve, digital vacuum meter, safety vent valve
SEM 820	20	8	10 mm	14,5	N 820.3 FT.18	
SEM 840	34	8	10 mm	17.8	N 840.3 FT.18	
SEM 842	34	2	10 mm	18.6	N 842.3 FT.18	

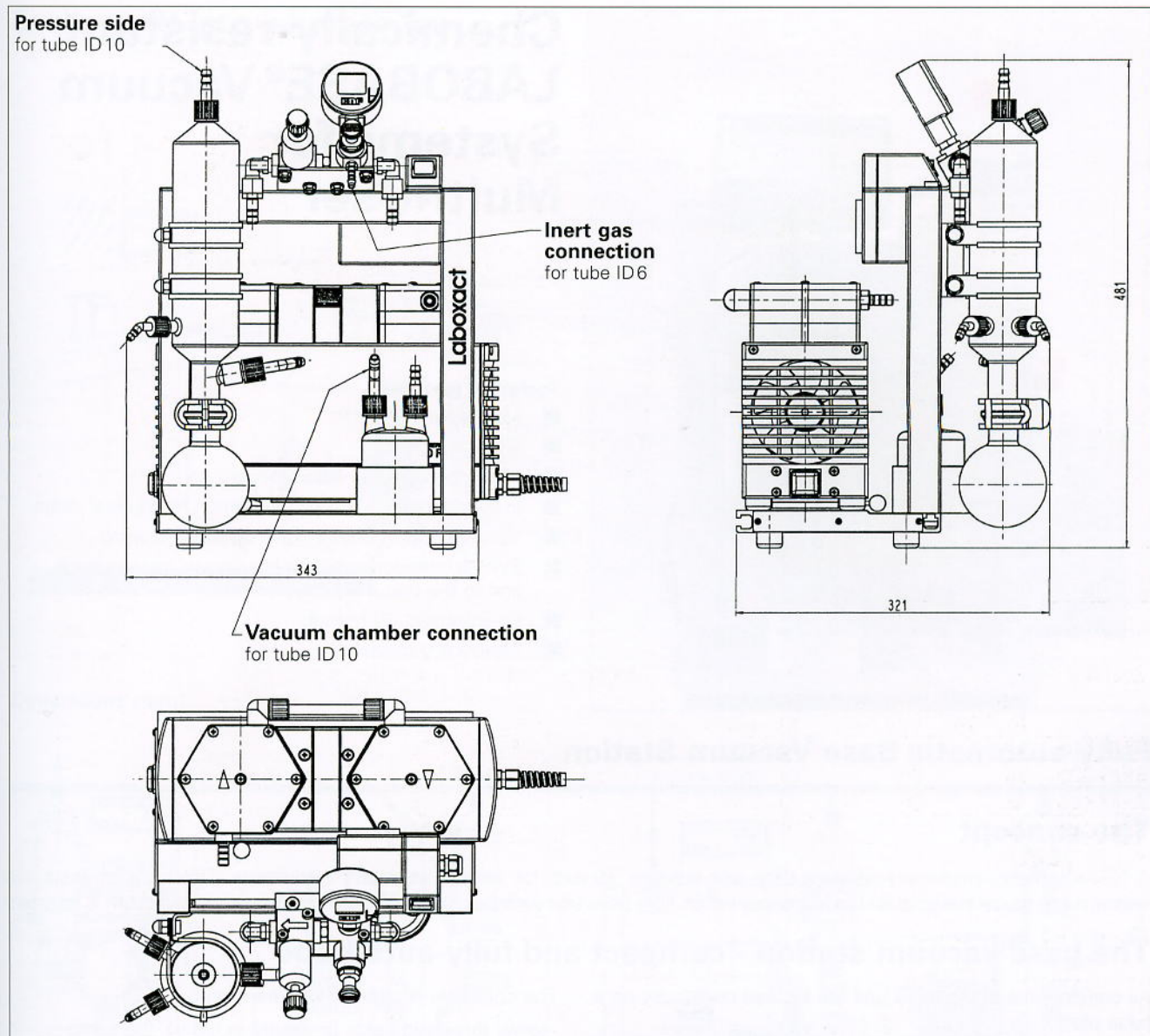
¹⁾ at atm. pressure

Function and operation



KNF reserves the right to make changes.

Vacuum Systems for the Distillation



LABOXACT® in use

The process in the rotary evaporator can be monitored reliably with the vacuum system LABOXACT. A closed, patented system arrangement enables gentle distillation and high recovery rates, even for low-boiling solvents.

An fine-adjustment valve regulates the vacuum precisely. When the desired vacuum is reached, the fine-adjustment valve can be closed, or the pump can be switched off. If the rotary evaporator has leaks, then the fine-adjustment valve can be adjusted, allowing the pump to remove the leakage flow and maintain the boiling pressure. The safety vent valve makes it possible to interrupt evaporation at any time, by venting the rotary evaporator. Inert gas can be added via the special connection.